

19<sup>th</sup> – 29<sup>th</sup> July 2018  
Bratislava, SLOVAKIA  
Prague, CZECH REPUBLIC

---

[www.50icho.eu](http://www.50icho.eu)

## PRACTICAL PROBLEMS

<b>Country:</b>	
<b>Name as in passport:</b>	
<b>Student code:</b>	
<b>Language:</b>	



## 50<sup>th</sup> IChO 2018

International Chemistry Olympiad  
SLOVAKIA & CZECH REPUBLIC

BACK TO WHERE IT ALL BEGAN



## General instructions

- This practical exam booklet contains **28** pages.
- Before the start of the exam, you will have additional 15 minutes to read the exam booklet. **Do not work, write or calculate during this time, otherwise you will be disqualified.**
- You may begin working as soon as the **Start** command is given.
- You have **5 hours** to complete the exam.
- You may work on the tasks in any order, but starting with Problem P1 is recommended.
- All results and answers must be clearly written **in pen in their respective designed areas** on the exam papers. Answers written outside the answer boxes will not be graded.
- Do not use a pencil or a marker to write the answers. Use only the pen and calculator provided.
- You were provided with 3 sheets of scratch paper. If you need more, use the backside of the exam sheets. Remember that **nothing outside the designed areas will be graded.**
- **The official English version** of the exam booklet is available upon request and serves for clarification only.
- If you need to leave the laboratory (to use the toilet or have a drink or snack), tell your lab assistant. He or she will come to accompany you.
- You must **follow the safety rules** given in the IChO regulations. If you break the safety rules, you will receive only one warning from the lab assistant. Any safety rule violations after the first warning will result in your dismissal from the laboratory and 0 marks for the entire practical examination.
- Chemicals and labware, unless otherwise noted, will be refilled or replaced without penalty only for the first item. Each further incident will result in the deduction of 1 point from your 40 practical exam points.
- The lab assistant will announce a 30 minute warning before the **Stop** command.
- You must stop your work immediately when the **Stop** command is announced. Failure to stop working or writing by one minute or longer will lead to nullification of your practical exam.
- After the **Stop** command has been given, a lab assistant will come to sign your answer sheet. After both the assistant and you sign, place this exam booklet back in the exam envelope and submit it for grading together with your products and TLC plates.



## Lab rules and safety

- You must wear a lab coat and keep it buttoned up. Footwear must completely cover the foot and heel.
- Always wear safety glasses or prescription glasses when working in the lab. Do not wear contact lenses.
- Do not eat or drink in the lab. Chewing gum is not allowed.
- Work only in the designated area. Keep your work area and the common work areas tidy.
- No unauthorized experiments are allowed. No modification of the experiments is allowed.
- Do not pipet with your mouth. Always use a bulb pipette filler.
- Clean up spills and broken glassware immediately from both the bench and the floor.
- All waste must be properly discarded to prevent contamination or injury. Non-hazardous water soluble/miscible lab waste is eligible for sink disposal. Other lab waste must be disposed of in a marked capped container.



## Definition of GHS hazard statements

The GHS hazard statements (H-phrases) associated with the materials used are indicated in the problems. Their meanings are as follows.

### Physical hazards

- H225 Highly flammable liquid and vapour.
- H226 Flammable liquid and vapour.
- H228 Flammable solid.
- H271 May cause fire or explosion; strong oxidizer.
- H272 May intensify fire; oxidizer.
- H290 May be corrosive to metals.

### Health hazards

- H301 Toxic if swallowed.
- H302 Harmful if swallowed.
- H304 May be fatal if swallowed and enters airways.
- H311 Toxic in contact with skin.
- H312 Harmful in contact with skin.
- H314 Causes severe skin burns and eye damage.
- H315 Causes skin irritation.
- H317 May cause an allergic skin reaction.
- H318 Causes serious eye damage.
- H319 Causes serious eye irritation.
- H331 Toxic if inhaled.
- H332 Harmful if inhaled.
- H333 May be harmful if inhaled.
- H334 May cause allergy or asthma symptoms or breathing difficulties if inhaled.
- H335 May cause respiratory irritation.
- H336 May cause drowsiness or dizziness.
- H351 Suspected of causing cancer.
- H361 Suspected of damaging fertility or the unborn child.
- H371 May cause damage to organs.
- H372 Causes damage to organs through prolonged or repeated exposure.
- H373 May cause damage to organs through prolonged or repeated exposure.

### Environmental hazards

- H400 Very toxic to aquatic life.
- H402 Harmful to aquatic life.
- H410 Very toxic to aquatic life with long lasting effects.
- H411 Toxic to aquatic life with long lasting effects.
- H412 Harmful to aquatic life with long lasting effects.



## Chemicals

### For all problems

Chemicals	Labelled as	GHS hazard statements <sup>1</sup>
Deionized <b>water</b> in: Wash bottle (bench) Plastic bottle (bench) Plastic canister (hood)	<b>Water</b>	Not hazardous

### For Problem P1 (in white basket if not stated otherwise)

Chemicals	Labelled as	GHS hazard statements <sup>1</sup>
<b>Ethanol</b> , 100 cm <sup>3</sup> in wash bottle (bench)	<b>Ethanol</b>	H225, H319
<b>2-Acetonaphthone</b> : Approx. 0.002 g in glass vial, standard for TLC 0.500 g in glass vial	<b>Standard A</b> <b>Reactant A</b>	H302, H315, H319, H335, H411
<b>2,4-Dinitrophenylhydrazine</b> , containing 33% (w/w) of water, 0.300 g in glass vial	<b>DNPH</b>	H228, H302
Bleach solution, containing 4.7% of <b>NaClO</b> , 13.5 cm <sup>3</sup> in amber glass bottle	<b>Bleach</b>	H290, H314, H400
<b>Ethyl acetate</b> , 15 cm <sup>3</sup> in amber glass bottle	<b>EtOAc</b>	H225, H319, H336
<b>Eluent</b> for thin layer chromatography, hexanes/ethyl acetate 4:1 (v/v), 5 cm <sup>3</sup> in amber glass bottle	<b>TLC eluent</b>	H225, H304, H315, H336, H411 <sup>2</sup>
5% <b>Na<sub>2</sub>CO<sub>3</sub></b> , aqueous solution, 20 cm <sup>3</sup> in plastic bottle	<b>5% Na<sub>2</sub>CO<sub>3</sub></b>	H319
20% <b>HCl</b> , aqueous solution, 15 cm <sup>3</sup> in plastic bottle	<b>20% HCl</b>	H290, H314, H319, H335 and others

### For Problem P2 (in green basket)

Chemicals	Labelled as	GHS hazard statements <sup>1</sup>
8 mmol dm <sup>-3</sup> <b>luminol</b> in 0.4 mol dm <sup>-3</sup> <b>NaOH</b> aqueous solution, 50 cm <sup>3</sup> in plastic bottle	<b>Luminol in NaOH</b>	H290, H315, H319
2.00 mmol dm <sup>-3</sup> <b>CuSO<sub>4</sub></b> aqueous solution, 25 cm <sup>3</sup> in plastic bottle	<b>Cu</b>	Not hazardous
2.00 mol dm <sup>-3</sup> <b>H<sub>2</sub>O<sub>2</sub></b> aqueous solution, 12 cm <sup>3</sup> in small plastic bottle	<b>H<sub>2</sub>O<sub>2</sub> conc.</b>	H302, H315, H318
0.100 mol dm <sup>-3</sup> <b>cysteine hydrochloride</b> aqueous solution, 12 cm <sup>3</sup> in small plastic bottle	<b>Cys conc.</b>	Not hazardous
<b>Water</b> , 50 cm <sup>3</sup> in plastic bottle	<b>Water</b>	Not hazardous

<sup>1</sup> See page 4 for the definition of the GHS hazard statements.

<sup>2</sup> The GHS hazard statements for hexanes.



### For Problem P3 (in grey basket if not stated otherwise)

Chemicals	Labelled as	GHS hazard statements <sup>1</sup>
Sample of mineral water, 400 cm <sup>3</sup> in plastic bottle (bench)	Sample	Not hazardous
3 mol dm <sup>-3</sup> NH <sub>4</sub> Cl / 3 mol dm <sup>-3</sup> NH <sub>3</sub> solution in water, 15 cm <sup>3</sup> in plastic bottle	Buffer	H302, H319, H314, H400
NaCl, solid, 10 g in plastic bottle	NaCl	H319
Eriochrome black T, indicator mixture in plastic bottle	EBT	H319
Bromothymol blue, indicator solution in plastic bottle	BTB	H302, H315, H319
5.965 × 10 <sup>-3</sup> mol dm <sup>-3</sup> disodium ethylenediamine tetraacetate standard solution, 200 cm <sup>3</sup> in plastic bottle (bench)	EDTA	H302, H315, H319, H335
0.2660 mol dm <sup>-3</sup> NaOH standard solution, 250 cm <sup>3</sup> in plastic bottle (bench)	NaOH	H314
Strong acidic cation exchange resin, in H <sup>+</sup> form, 50 cm <sup>3</sup> of swollen material washed with deionized water in plastic bottle	Catex	H319

## Equipment

### For all problems (on shelf if not stated otherwise)

Shared equipment	Quantity
Paper wipes	1 box for 2–4
Waste paper basket (bench, close to sink)	1 for 4
Nitrile gloves (hood)	1 box for lab
Personal equipment	
Safety goggles	1
Pipette stand (bench)	1
Bulb pipette filler	1
Glass beaker, 100 cm <sup>3</sup> , containing: glass rod, plastic spoon, spatula, tweezers, marker, pencil, ruler	1 (each)

### For Problem P1 (in white basket if not stated otherwise)

Shared equipment	Quantity
UV lamp (hood)	1 for up to 12
Vacuum source (plastic stopcock with vacuum hose, bench)	1 for 2
Personal equipment	
Hotplate stirrer (bench) with: Temperature probe, Crystallizing dish, with metallic clip	1 (each)



Laboratory stand (bench) with: Clamp holder with small clamp Clamp holder with large clamp	1 (each)
<b>Organic waste</b> plastic bottle (bench)	1
Open metal ring	1
Round bottom flask, 50 cm <sup>3</sup> , with magnetic stir bar	1
Measuring cylinder, 10 cm <sup>3</sup>	1
Reflux condenser	1
Separatory funnel, 100 cm <sup>3</sup> , with stopper	1
Erlenmeyer flask without ground joint, 50 cm <sup>3</sup>	1
Erlenmeyer flask without ground joint, 25 cm <sup>3</sup>	1
Erlenmeyer flask with ground joint, 50 cm <sup>3</sup>	1
Glass funnel	1
Suction flask, 100 cm <sup>3</sup>	1
Rubber adapter for filter funnel	1
Fritted glass filter funnel, porosity <b>S2</b> (white label)	1
Fritted glass filter funnel, porosity <b>S3</b> (orange label)	1
Glass beaker, 50 cm <sup>3</sup> , with Petri dish lid	1
Glass beaker, 150 cm <sup>3</sup>	1
TLC graduated capillary spotter, 5 µl	3
Zippered bag with 5 pH indicator strips and 1 pH scale	1
Zippered bag with 2 TLC plates	1
Glass Pasteur pipette	4
Rubber bulb	1
Glass vial labelled <b>Student code B</b> for the product of the haloform reaction	1
Glass vial labelled <b>Student code C</b> for the product of the reaction with Brady's reagent	1

For Problem P2 (in green basket if not stated otherwise)

Personal equipment	Quantity
Stopwatch	1
Digital thermometer and card with its calibration constant	1
Volumetric flask, 50 cm <sup>3</sup>	1
Bulb pipette, 5 cm <sup>3</sup> (bench, in pipette stand)	1
Graduated pipette, 5 cm <sup>3</sup> (bench, in pipette stand)	3
Graduated pipette, 1 cm <sup>3</sup> (bench, in pipette stand)	2
Plastic bottle labelled <b>H<sub>2</sub>O<sub>2</sub> dil.</b> for diluted stock solution of H <sub>2</sub> O <sub>2</sub> , 50 cm <sup>3</sup>	1
Plastic bottle labelled <b>Cys dil.</b> for diluted stock solution cysteine.HCl, 50 cm <sup>3</sup>	1
Black plastic test tube, 15 cm <sup>3</sup>	1
Capless centrifuge tube, 1.5 cm <sup>3</sup>	1



Plastic beaker, 25 cm <sup>3</sup>	1
Erlenmeyer flask, 100 cm <sup>3</sup>	1

**For Problem P3** (in grey basket if not stated otherwise)

Personal equipment	Quantity
Laboratory stand (bench) with: White sheet of paper Burette clamp Burette, 25 cm <sup>3</sup>	1 (each)
Bulb pipette, 50 cm <sup>3</sup> (bench, in pipette stand)	1
Bulb pipette, 10 cm <sup>3</sup> (bench, in pipette stand)	1
Glass funnel	1
Measuring cylinder, 5 cm <sup>3</sup>	1
Titration flask (flat bottom flask), 250 cm <sup>3</sup>	2
Erlenmeyer flask, 250 cm <sup>3</sup>	1
Fritted glass filter funnel, porosity <b>S1</b> (blue label)	1
Glass beaker, 100 cm <sup>3</sup>	2
Glass beaker, 250 cm <sup>3</sup>	1
Plastic Pasteur pipette, narrow stem, nongraduated	2
Plastic Pasteur pipette, thick stem, graduated	1
Zipped bag with 5 pH indicator strips and 1 pH scale	1
Zipped bag with 5 absorbing paper strips	1
<b>Waste catex</b> plastic bottle (bench)	1



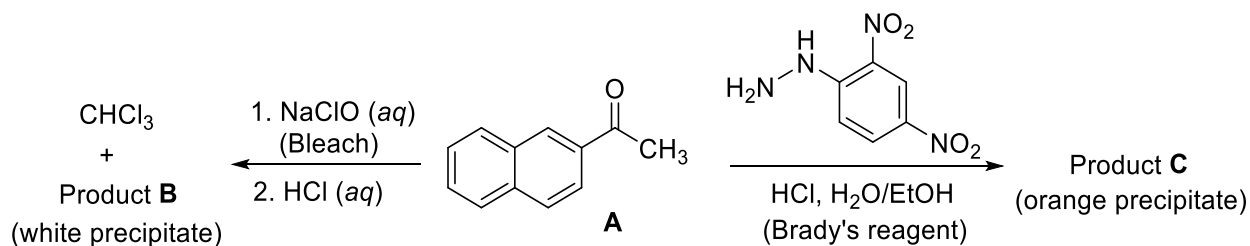


Practical Problem P1 14% of the total	Question	1.1	1.2	yield	m.p.	Total
	Points	4	16	20	10	<b>50</b>
Score						

## Problem P1. Haloform reaction with bleach

Chemical test reactions have been developed as a means of identifying functional groups in unknown compounds. In this task, you will explore two examples of chemical test reactions on a preparatory scale, starting from (2-naphthyl)ethanone (**A**, 2-acetonaphthone):

- The haloform reaction is a transformation typical for methyl ketones which react with basic aqueous hypochlorite solution and provide a carboxylic acid (product **B**) and a haloform (trihalomethane).
- The reaction of Brady's reagent (acidic solution of 2,4-dinitrophenylhydrazine) with the carbonyl group of an aldehyde or ketone results in the formation of an orange hydrazone precipitate (product **C**).



P1.1 Draw the structures of products **B** and **C**.

Product <b>B</b>	Product <b>C</b>
------------------	------------------

### Notes:

- The total score will be based on the  $R_f$  values of compounds **A** and **B** calculated from the submitted TLC plate 1 and on the quality and quantity of the submitted products **B** and **C**.
- The quality of your products will be graded based on the TLC and melting points.
- The amount of the provided hypochlorite solution is not sufficient to convert all reactant **A** to product **B**. You will recover the residual reactant **A** by an acid-base extraction and isolate

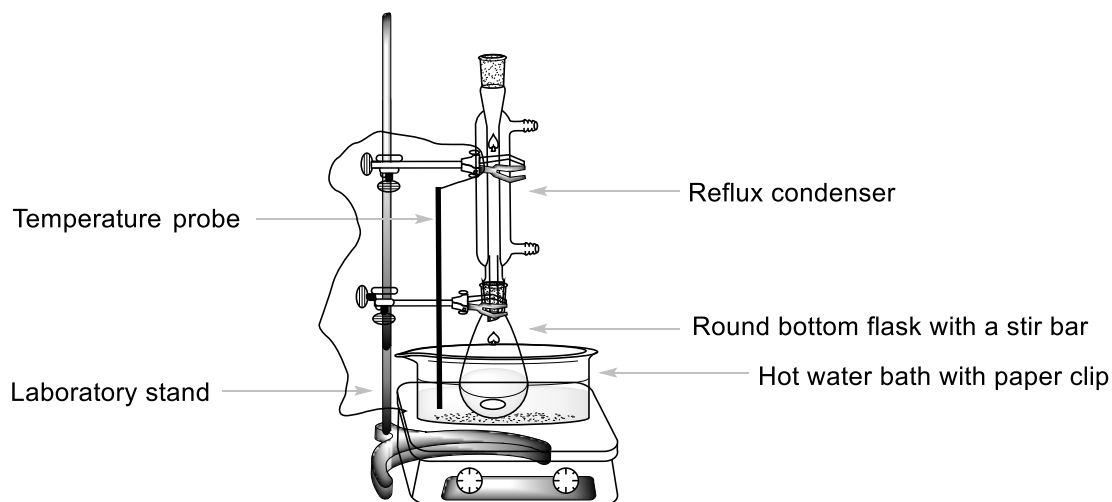


hydrazone **C** after the reaction with Brady's reagent. The grading is based on the combined yield of products **B** and **C**.

## Procedure

### I. Haloform reaction

1. Prepare the water bath with the paper clip as in Figure 1. Turn on the stirrer and adjust the speed to 540 rpm. Immerse the temperature probe into the bath, not touching the glass. Rest the wire from the probe on the upper clamp. Set the temperature to 80 °C.
2. Transfer the 0.500 g of 2-acetonaphthone from the vial labelled **Reactant A** into a 50 cm<sup>3</sup> round bottom flask (pear shaped) that contains a magnetic stir bar. Measure 3 cm<sup>3</sup> of ethanol (from the wash bottle) in the graduated cylinder and use it to transfer the remaining **Reactant A** quantitatively into the round bottom flask using a glass Pasteur pipette.
3. Place the round bottom flask into the hot water bath. Attach the reflux condenser (water connection is not needed) as shown in Figure 1. Secure the upper part of the condenser loosely using the large clamp. Let **Reactant A** dissolve while stirring.



**Figure 1.** Setup for heating the reaction mixture in a water bath.

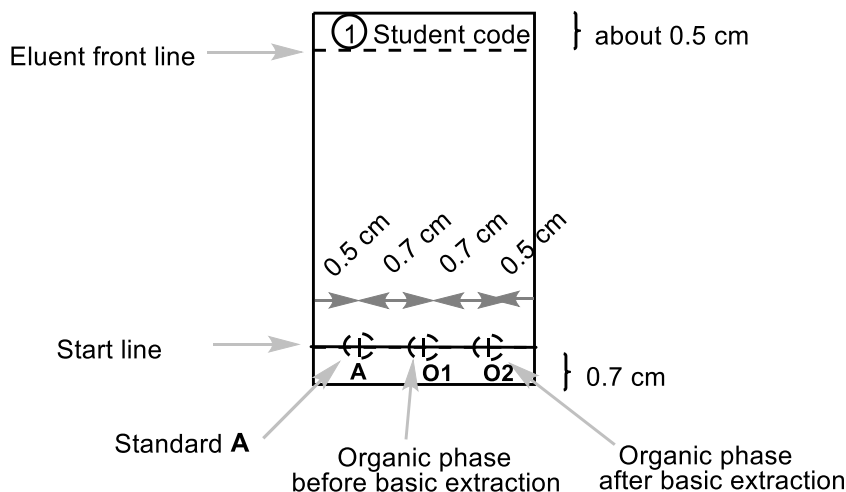
4. When the bath temperature reaches 75 °C, slowly add all the NaClO solution (**Bleach**) to the reaction mixture through the top opening of the condenser using a small glass funnel. Maintain the reaction mixture temperature between 75 and 80 °C while stirring for 60 minutes.
5. After 60 mins, turn off the heat. Loosen the upper clamp and lift the reaction flask over the water bath. (*Caution!* Touch only the clamps, the flask is hot.) Allow the reaction mixture to cool for 15 minutes.

### II. Workup of the reaction mixture

1. Attach the metal ring to the retort stand. Place a separatory funnel into the metal ring. Place a 50 cm<sup>3</sup> Erlenmeyer flask without a ground joint under the flask. Using a glass funnel, pour the cooled reaction mixture into the separatory funnel. Measure 5 cm<sup>3</sup> of ethyl acetate (**EtOAc**) and use it to rinse the reaction flask. Add the contents of the rinsed reaction flask into the separatory funnel using a glass Pasteur pipette. Remove the stir bar from the glass funnel with tweezers.



- Perform the extraction. Allow the layers to separate. Collect the aqueous layer in the 50 cm<sup>3</sup> Erlenmeyer flask without a ground joint. Using a small glass funnel, pour the organic layer through the top neck of the separatory funnel into the 25 cm<sup>3</sup> Erlenmeyer flask. **Keep both phases!**
- Using a small funnel, pour the aqueous phase from the 50 cm<sup>3</sup> Erlenmeyer flask back to the separatory funnel. Measure another 5 cm<sup>3</sup> of ethyl acetate (**EtOAc**) and repeat the extraction (step No. II.2). Combine the organic phases from both extractions in the 25 cm<sup>3</sup> Erlenmeyer flask. **Keep both phases!**
- Check your TLC plate before use. Unused damaged plates will be replaced upon request without penalty. Use a pencil to draw the start line and mark the positions for spotting the samples. Write number **1** in a circle and your student code at the top of the TLC plate as shown in Figure 2. Dissolve the given sample of 2-acetonaphthone in a vial (**Standard A**) in about 2 cm<sup>3</sup> of ethanol (about 1 full glass Pasteur pipette). Mark three spot positions and label them **A**, **O1**, and **O2**. Spot 1 μl (one mark of the 5 μl capillary spotter) of standard **A** and the combined organic phase from step II.3 (**O1**). You will add spot **O2** later.



**Figure 2.** Instructions for the TLC plate preparation.

- Perform an extraction on the combined organic phase from step II.3 with 5 cm<sup>3</sup> of **5% Na<sub>2</sub>CO<sub>3</sub>** solution. Collect the aqueous phase from this extraction into the same 50 cm<sup>3</sup> Erlenmeyer flask without a ground joint containing the aqueous phase from step II.3. Repeat the extraction with 5 cm<sup>3</sup> of **5% Na<sub>2</sub>CO<sub>3</sub>** and combine the aqueous phases in the 50 cm<sup>3</sup> Erlenmeyer flask without ground joint.
- Wash the organic phase in the funnel with 5 cm<sup>3</sup> of deionized water. Add the aqueous phase to the combined aqueous extracts in the 50 cm<sup>3</sup> Erlenmeyer flask without ground joint. Pour the organic layer (**O2**) through the top neck into a 50 cm<sup>3</sup> ground-joint Erlenmeyer flask. Spot 1 μL of the solution **O2** on your TLC plate prepared in step II.4 (Plate 1).
- Perform a TLC analysis. Take a 50 cm<sup>3</sup> beaker and load it with about 2 cm<sup>3</sup> of the **TLC eluent**. Insert the TLC plate, cover the beaker with a Petri dish and let the eluent reach approximately 0.5 cm below the top edge of the plate. Using tweezers, take the TLC plate out, draw the eluent front line and let the plate air-dry. Place the TLC plate under the UV lamp in the hood. With a pencil, circle all the visualized spots and calculate the  $R_f$  values of reactant **A** and product **B**. Store your TLC plate in a plastic bag.



*Note 1:* Product **B** may streak on the TLC plate. Therefore, avoid excessive loading of the sample.

*Note 2:* In some cases, two additional spots of side products of a very low intensity may be seen in combined organic phase **O1** and **O2**. In this case, calculate the  $R_f$  value for the most intense spot(s).

*Note 3:* If the organic layer **O2** still contains both starting material **A** and product **B**, repeat the extraction with the 5%  $\text{Na}_2\text{CO}_3$  solution and water (steps No. II.5 and II.6). In this case, submit also another TLC plate after the repeated extraction (Plate 2), spotting only standard **A** and organic phase **O2**. Mark number **2** in a circle and your student code on the top of this TLC plate. Use a fresh batch of eluent to develop TLC Plate 2.

P1.2 Answer the following questions. Calculate the  $R_f$  values of standard **A** and product **B**. Provide the results rounded to 2 decimal places.

Based on the TLC analysis, your organic layer <b>O1</b> contains:		
	YES	NO
Starting material <b>A</b>	<input type="checkbox"/>	<input type="checkbox"/>
Product <b>B</b>	<input type="checkbox"/>	<input type="checkbox"/>
Based on the TLC analysis, your final organic layer <b>O2</b> contains:		
	YES	NO
Starting material <b>A</b>	<input type="checkbox"/>	<input type="checkbox"/>
Product <b>B</b>	<input type="checkbox"/>	<input type="checkbox"/>
Calculation of the $R_f(\mathbf{A})$		
$R_f(\mathbf{A}) =$		
Calculation of the $R_f(\mathbf{B})$		
$R_f(\mathbf{B}) =$		

### III. Reaction with Brady's reagent

*Attention:* Use gloves! Brady's reagent stains skin and all surfaces. Wash any spots immediately with ethanol! Change your gloves if necessary.

1. Preheat the water bath to 80 °C.
2. Insert a magnetic stir bar into the 50 cm<sup>3</sup> ground-joint Erlenmeyer flask containing the organic phase **O2** from step II.6 and add 0.300 g of 2,4-dinitrophenylhydrazine (**DNPH**).
3. In a graduated cylinder, measure 10 cm<sup>3</sup> of ethanol. Using a glass Pasteur pipette, rinse the **DNPH** glass vial with 5 × 2 cm<sup>3</sup> of ethanol to ensure all **DNPH** transferred into the Erlenmeyer flask.
4. Rinse the reflux condenser with ethanol. Place the Erlenmeyer flask into the hot water bath and attach the reflux condenser (as in Figure 1). Through the top opening of the condenser, add 3



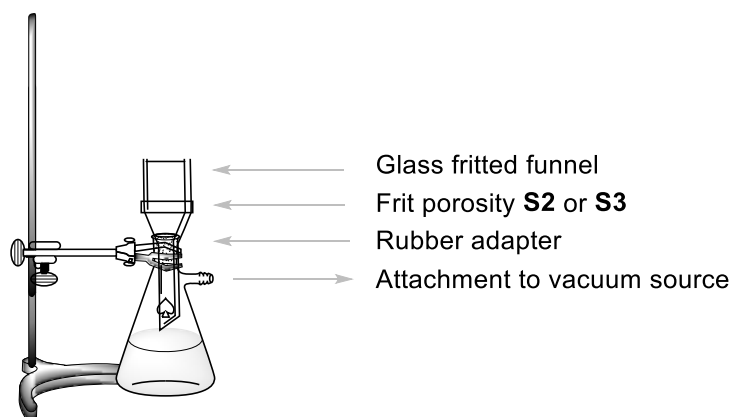
cm<sup>3</sup> of **20% HCl** using a funnel and stir the reaction mixture at 80 °C for 2 minutes. Fine orange crystals of product **C** should start to form.

5. Turn off the heat. Lift the reaction flask above the water bath. (*Caution!* Touch only the clamps, the flask is hot.) Allow the reaction mixture to cool for 15 min and then place it into a cold water bath (prepared by pouring cold tap water in a 150 cm<sup>3</sup> beaker).

#### IV. Isolation of the products

1. Check the pH of the combined aqueous phase from step No. II.6. Acidify it by carefully adding **20% HCl** solution, stirring the mixture with a glass rod (about 2 cm<sup>3</sup> of the HCl solution should be required), to the final pH of 2 (check with pH indicator strips). A white precipitate of product **B** should form.
2. Set up a vacuum filtration apparatus (Figure 3) using a glass fritted funnel with porosity **S2** (with white label) and secure it to a laboratory stand with a small clamp. Connect the suction flask to the vacuum source. Pour the suspension of product **B** (step No. IV.1) into the fritted funnel, let the solid settle, and then open the vacuum valve. *Caution:* notify the lab assistant before and after handling the valve! Wash the solid twice with 6 cm<sup>3</sup> of deionized water, until the pH of the dropping filtrate is about 6. Let air flow through the precipitate for 5 minutes to pre-dry the product. Disconnect the vacuum source. Use the spatula to transfer white product B to a glass vial labelled **Student code B** and leave it uncovered on the bench to dry. Discard the filtrate to the sink drain and wash the suction flask.

*Note:* Be careful not to scratch the fritted glass into your product!



**Figure 3.** Setup for suction filtration.

3. Set up a vacuum filtration apparatus with a glass fritted funnel with porosity **S3** (with an orange label) similarly as in IV.2. Pour the suspension of product **C** (step No. III) into the fritted funnel, wait for a minute, and then open the vacuum valve. Do NOT stir or scratch the solid with the spatula while filtering and washing, otherwise the solid may go through the filter. Wash the precipitate three times with 5 cm<sup>3</sup> of ethanol (15 cm<sup>3</sup> in total) until neutral pH of the dropping filtrate is reached. Let air flow through the precipitate for 5 minutes. Disconnect the vacuum source. Use the spatula to transfer orange product C to a glass vial labelled **Student code C** and leave it uncovered on the bench to dry. Collect the filtrate into **Organic waste** bottle.

*Note:* If the product goes through the fritted funnel, filter the suspension once more. If the product still goes through, contact the lab assistant.



Your lab assistant will pick up following items and sign your answer sheet.

- Glass vials labelled **Student code B** and **C** with your products
- TLC plates in a zipped bag labelled with your **Student code**

**Submitted items:**

Product **B**

Product **C**

TLC Plate 1

TLC Plate 2 (optional)

**Signatures:**

\_\_\_\_\_

Student

\_\_\_\_\_

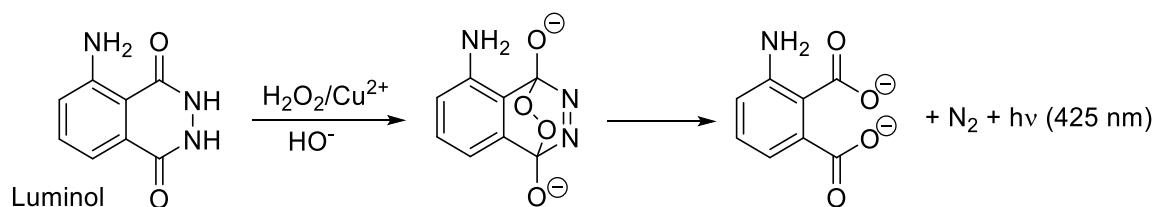
Lab assistant



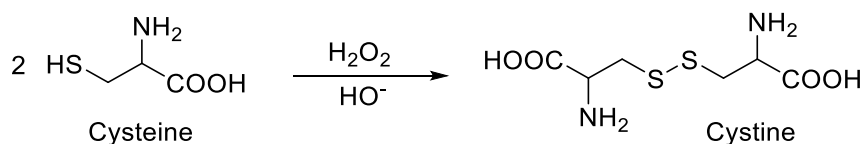
Practical Problem P2	Question	2.1	2.2	2.3	2.4	2.5	2.6	Total
	13% of the total	Points	30	30	7	3	4	6
	Score							

## Problem P2. A glowing clock reaction

Luminol is a well-known source of chemiluminescence. In the presence of a suitable redox catalyst, e.g.  $\text{Cu}^{2+}$ , it may react with oxidizing agents, most commonly  $\text{H}_2\text{O}_2$ , forming products in excited electronic states. These release the excess energy by the emission of blue light:



The procedure may be modified into a clock reaction, in which the light appears after a certain induction time. By adding cysteine,  $\text{Cu}(\text{II})$  is reduced to  $\text{Cu}(\text{I})$  and captured in a  $\text{Cu}(\text{I})$ –cysteine complex that does not facilitate the luminol oxidation. However, the inhibition is only temporary. A cycle of reactions fuelled by  $\text{H}_2\text{O}_2$  leads to the gradual oxidation of cysteine:



Eventually, all cysteine is consumed,  $\text{Cu}(\text{I})$  is reoxidized to  $\text{Cu}(\text{II})$ , and its catalytic activity is restored. This is indicated by a flash of blue chemiluminescence. The time it takes for the flash to appear can be used to study the rates of the  $\text{Cu}$ -catalyzed cysteine oxidation.

### Procedure

**Caution:** Always keep all your solutions and pipettes away from hotplates!

Reasonable temperature changes are not a problem, because your results will be marked based on the actual reaction temperatures that you report. You will not lose any points if your data is recorded at various temperatures. However, you must avoid excessive heat, e.g. placing the solutions or the pipettes near a hotplate.

**Note:** Report all the values with the requested number of significant figures or decimal places. Excessive rounding may make it impossible to distinguish a correct answer from an incorrect one.



### General structure of the experiment

In Part I, you will dilute two stock solutions that are provided as concentrates. In Part II, you will measure the reaction times of the clock reaction for two different concentration sets, as defined in the table below:

	Volume in the black test tube			In the centrifuge tube	
	Water	Luminol in NaOH	Cys dil.	Cu	H <sub>2</sub> O <sub>2</sub> dil.
<b>Conc. set #1</b>	3.00 cm <sup>3</sup>	2.50 cm <sup>3</sup>	3.30 cm <sup>3</sup>	0.50 cm <sup>3</sup>	0.70 cm <sup>3</sup>
<b>Conc. set #2</b>	3.30 cm <sup>3</sup>	2.50 cm <sup>3</sup>	3.30 cm <sup>3</sup>	0.50 cm <sup>3</sup>	0.40 cm <sup>3</sup>

Before you start measuring the data to be graded, you should get familiar with the procedure in a trial run.

Because the reaction rate depends on temperature, you must record the actual temperatures in all replicates. The temperatures in the reaction mixtures should be measured IMMEDIATELY AFTER you have recorded the reaction time required to produce the blue flash.

In data evaluation, each temperature recorded from the thermometer's display must be corrected by summing it with the thermometer's calibration constant. This constant is printed on a piece of paper in the basket for Problem 2.

Then, each reaction time  $t(x\text{ }^\circ\text{C})$  observed at  $x\text{ }^\circ\text{C}$  (corrected) must be converted to the time  $t(25\text{ }^\circ\text{C})$  that would be observed at  $25\text{ }^\circ\text{C}$ . This normalization of reaction times to  $25\text{ }^\circ\text{C}$  is a simple multiplication of  $t(x\text{ }^\circ\text{C})$  with a normalization coefficient  $n_{x \rightarrow 25}$ :

$$t(25\text{ }^\circ\text{C}) = n_{x \rightarrow 25} t(x\text{ }^\circ\text{C})$$

The values of the normalization coefficients  $n_{x \rightarrow 25}$  corresponding to various temperatures are listed in Table P2 at the end of this task.

### I. Dilution of the concentrated stock solutions

Solutions of H<sub>2</sub>O<sub>2</sub> (2.00 mol dm<sup>-3</sup>) and cysteine (0.100 mol dm<sup>-3</sup>) are provided as concentrates, labelled **H<sub>2</sub>O<sub>2</sub> conc.** and **Cys conc.** Using the 5 cm<sup>3</sup> bulb pipette and the 50 cm<sup>3</sup> volumetric flask, prepare 2 separate dilute solutions by diluting 5.00 cm<sup>3</sup> of each of **H<sub>2</sub>O<sub>2</sub> conc.** and **Cys conc.** to 50.00 cm<sup>3</sup> with deionized water. Store the diluted solutions in the bottles labelled **H<sub>2</sub>O<sub>2</sub> dil.** and **Cys dil.**

To avoid contamination, use a different graduated pipette to measure volumes for each reagent in Part II. The 5 cm<sup>3</sup> pipettes are for **Luminol in NaOH**, **Cys dil.**, and **Water**. The 1 cm<sup>3</sup> pipettes are for **Cu** (2.00 mmol dm<sup>-3</sup>) and **H<sub>2</sub>O<sub>2</sub> dil.**

### II. The clock reaction procedure

*Note:* Read the entire Section II carefully before starting the experiment.

- Place the black test tube inside the Erlenmeyer flask serving as a stand. Using the assigned pipettes, charge the test tube with the prescribed volumes of **Water**, **Luminol in NaOH** and **Cys dil.** solution from the previous table.





2. Place the small centrifuge tube inside the small plastic beaker and charge it with the prescribed volumes of **Cu** solution and **H<sub>2</sub>O<sub>2</sub> dil.** solution from the previous table.
3. **Without delay**, insert the small centrifuge tube inside the black test tube – **gently, without mixing** the solutions!
4. Close the black test tube with its screw-on cap. Make sure that the tube is closed tightly, because you will be shaking it. *Caution: Do not force the cap beyond its end-point*, because the tube will start leaking. If this happens, you must ask for a replacement immediately (penalty rules apply).
5. Have the stopwatch ready in your hand, in timing mode. The moment you begin shaking the test tube, start timing. You must shake vigorously during the initial 10 seconds so that the two solutions mix perfectly. It is crucial that you do not cut down the shaking time.
6. Place the black test tube back into the Erlenmeyer flask, open the lid and watch the solution inside closely. It may help to shield away the daylight with your hand. Eventually, you will see a flash of blue light through the whole solution. At that moment, stop timing.
7. Immediately, insert the metal probe of the digital thermometer into the black test tube. Wait for the reading to stabilize (typically 10–30 s) and record the reaction time and the reaction temperature.
8. Using tweezers, remove the small centrifuge tube from the black test tube. After each experiment, empty and wash both tubes and dry them with paper wipes.

### Measured data and their evaluation

P2.1 In the following table, record your experimental results for concentration set #1. Add the thermometer's calibration constant to your recorded temperature. Look up the value of the normalization coefficient  $n_{x \rightarrow 25}$  for each temperature in Table P2 and calculate the reaction times normalized to 25 °C. In an unlikely case that your temperatures are not listed in Table P2, get the value of  $n_{x \rightarrow 25}$  from the lab assistant.

*Note:* Just like in a titration, the tolerance for correct values is  $\pm 0.1 \text{ cm}^3$ ; the tolerance for correct values of the normalized times for concentration set #1 is  $\pm 2.3 \text{ s}$ .



(Use as many replicates as you consider necessary, you do not need to fill in all the rows. Points will be awarded for the accepted value only.)

	Repli- cate	Reaction time [s] 1 decimal place	Displayed temperature [°C] 1 decimal place	Corrected temperature [°C] 1 decimal place	Reaction time normalized to 25 °C [s] 3 significant figures
<b>Conc. set #1</b>	1				
	2				
	3				
	Accepted value of the normalized reaction time for concentration set #1				

P 2.2 In the following table, record your experimental results, the corrected temperature and calculate the reaction times normalized to 25 °C for concentration set #2.

*Note:* Just like in a titration, the tolerance for correct values is  $\pm 0.1 \text{ cm}^3$ ; the tolerance for correct values of the normalized times for concentration set #2 is  $\pm 3.0 \text{ s}$ .

(Use as many replicates as you consider necessary; you do not need to fill in all the rows. Points will be awarded for the accepted value only.)

	Repli- cate	Reaction time [s] 1 decimal place	Displayed temperature [°C] 1 decimal place	Corrected temperature [°C] 1 decimal place	Reaction time normalized to 25 °C [s] 3 significant figures
<b>Conc. set #2</b>	1				
	2				
	3				
	Accepted value of the normalized reaction time for concentration set #2				

P2.3 Based on the procedure and on the concentrations of the stock solutions (specified in the list of chemicals and in Part I of the Procedure), calculate the initial concentrations of cysteine, copper and  $\text{H}_2\text{O}_2$  in both concentration sets.

Express the accepted reaction times ( $t_1$  and  $t_2$ ) from P2.1 and P2.2 in minutes and calculate the corresponding reaction rates ( $v_1$  and  $v_2$ ), expressed as the rates of the consumption of the cysteine concentration, in  $\text{mmol dm}^{-3} \text{ min}^{-1}$ . You can assume that the rate of cysteine consumption during the reaction is constant.



If you cannot find the answer, write down the value of 11.50 for concentration set 1 and 5.500 for concentration set 2 and use these values in your calculations.

	Initial concentrations [mmol dm <sup>-3</sup> ] 3 significant figures			Accepted reaction time [min] 4 significant figures	Reaction rate [mmol dm <sup>-3</sup> min <sup>-1</sup> ] 4 significant figures
	Cysteine	Copper [Cu]	H <sub>2</sub> O <sub>2</sub>		
Conc. set #1					
Conc. set #2					

P2.4 Assuming the rate equation can be expressed as

$$v = k [\text{H}_2\text{O}_2]^p$$

use your experimental data to calculate the partial reaction order  $p$  with respect to H<sub>2</sub>O<sub>2</sub>. Write down your answer with 2 decimal places and show your calculation.

Answer:	$p =$
Calculation:	

An expression of the rate law of cysteine consumption that is closer to reality is more complicated and takes the following form:

$$v = k_1[\text{H}_2\text{O}_2][\text{Cu}] + k_2[\text{Cu}]$$

P2.5 Using the data from P2.3, evaluate the dependence of  $v$  on [H<sub>2</sub>O<sub>2</sub>] as a linear function to find the slope and the intercept. Write down both answers with 4 significant figures. If you cannot find the answer, write down the value of 11.50 for both  $a$  and  $b$ . Use these values for further calculations.

Answers (do not include the calculation, but include units):		
$v = a[\text{H}_2\text{O}_2] + b$	$a =$	$b =$



P2.6 Use the numeric values from P2.5 to evaluate the rate constants  $k_1$  and  $k_2$ . Write down their values with 3 significant figures.

Answers (including units):

$k_1 =$

$k_2 =$

Calculations:



**Table P2.** Normalization coefficients  $n_{x \rightarrow 25}$  for converting reaction times measured at various temperatures to times representing the reactions at 25.0 °C.

Temp. °C	Set #1	Set #2
22.0	0.8017	0.8221
22.1	0.8076	0.8274
22.2	0.8135	0.8328
22.3	0.8195	0.8382
22.4	0.8255	0.8437
22.5	0.8316	0.8492
22.6	0.8377	0.8547
22.7	0.8438	0.8603
22.8	0.8500	0.8659
22.9	0.8563	0.8715
23.0	0.8626	0.8772
23.1	0.8690	0.8829
23.2	0.8754	0.8887
23.3	0.8818	0.8945
23.4	0.8884	0.9004
23.5	0.8949	0.9063
23.6	0.9015	0.9122
23.7	0.9082	0.9182
23.8	0.9149	0.9242
23.9	0.9217	0.9303
24.0	0.9285	0.9364
24.1	0.9354	0.9425
24.2	0.9424	0.9487
24.3	0.9494	0.9550
24.4	0.9564	0.9613
24.5	0.9636	0.9676
24.6	0.9707	0.9740
24.7	0.9780	0.9804
24.8	0.9852	0.9869
24.9	0.9926	0.9934
25.0	1.0000	1.0000
25.1	1.0075	1.0066
25.2	1.0150	1.0133
25.3	1.0226	1.0200
25.4	1.0302	1.0268
25.5	1.0379	1.0336
25.6	1.0457	1.0404

Temp. °C	Set #1	Set #2
25.7	1.0536	1.0474
25.8	1.0614	1.0543
25.9	1.0694	1.0613
26.0	1.0774	1.0684
26.1	1.0855	1.0755
26.2	1.0937	1.0827
26.3	1.1019	1.0899
26.4	1.1102	1.0972
26.5	1.1186	1.1045
26.6	1.1270	1.1119
26.7	1.1355	1.1194
26.8	1.1441	1.1268
26.9	1.1527	1.1344
27.0	1.1614	1.1420
27.1	1.1702	1.1497
27.2	1.1790	1.1574
27.3	1.1879	1.1651
27.4	1.1969	1.1730
27.5	1.2060	1.1809
27.6	1.2151	1.1888
27.7	1.2243	1.1968
27.8	1.2336	1.2049
27.9	1.2430	1.2130
28.0	1.2524	1.2212
28.1	1.2619	1.2294
28.2	1.2715	1.2377
28.3	1.2812	1.2461
28.4	1.2909	1.2545
28.5	1.3008	1.2630
28.6	1.3107	1.2716
28.7	1.3207	1.2802
28.8	1.3307	1.2889
28.9	1.3409	1.2976
29.0	1.3511	1.3064
29.1	1.3615	1.3153
29.2	1.3719	1.3243
29.3	1.3823	1.3333

Temp. °C	Set #1	Set #2
29.4	1.3929	1.3424
29.5	1.4036	1.3515
29.6	1.4143	1.3607
29.7	1.4252	1.3700
29.8	1.4361	1.3793
29.9	1.4471	1.3888
30.0	1.4582	1.3983
30.1	1.4694	1.4078
30.2	1.4807	1.4175
30.3	1.4921	1.4272
30.4	1.5035	1.4369
30.5	1.5151	1.4468
30.6	1.5267	1.4567
30.7	1.5385	1.4667
30.8	1.5503	1.4768
30.9	1.5623	1.4869
31.0	1.5743	1.4972
31.1	1.5865	1.5075
31.2	1.5987	1.5179
31.3	1.6111	1.5283
31.4	1.6235	1.5388
31.5	1.6360	1.5495
31.6	1.6487	1.5602
31.7	1.6614	1.5709
31.8	1.6743	1.5818
31.9	1.6872	1.5927
32.0	1.7003	1.6038
32.1	1.7135	1.6149
32.2	1.7268	1.6260
32.3	1.7402	1.6373
32.4	1.7536	1.6487
32.5	1.7673	1.6601
32.6	1.7810	1.6716
32.7	1.7948	1.6833
32.8	1.8087	1.6950
32.9	1.8228	1.7068
33.0	1.8370	1.7186



<b>Practical Problem 3</b> 13% of the total	Question	3.1	3.2	3.3	3.4	3.5	
	Points	3	20	2	2	16	
	Score						
	Question	3.6	3.7	3.8	3.9	3.10	<b>Total</b>
	Points	4	20	2	4	2	<b>75</b>
	Score						

## Problem P3. Mineral water identification

Many mineral and thermal water springs are registered in Slovakia. Mineral waters with a balanced composition and natural or modified carbon dioxide content are sold for daily consumption. These waters do not contain nitrites, nitrates, phosphates, fluorides and sulfides and are also free of iron and manganese.

The mass concentration of the most important ions is reported on the packaging.

Your task is to identify the trade brand (from Table P3.1) of your mineral water sample.

*Note:* CO<sub>2</sub> has been removed from the sample.

**Table P3.1.** Mass concentrations of ions in selected Slovak mineral waters. (As reported by the supplier.)

No.	Trade brand	Mass concentration of ion, mg dm <sup>-3</sup>						
		Ca <sup>2+</sup>	Mg <sup>2+</sup>	Na <sup>+</sup>	K <sup>+</sup>	Cl <sup>-</sup>	SO <sub>4</sub> <sup>2-</sup>	HCO <sub>3</sub> <sup>-</sup>
1	Kláštorná	290	74	71	16	15	89	1 341
2	Budišská	200	50	445	50	25	433	1 535
3	Baldovská	378	94	90	0	78	215	1 557
4	Santovka	215	67	380	45	177	250	1 462
5	Slatina	100	45	166	40	104	168	653
6	Fatra	45	48	550	16	36	111	1 693
7	Ľubovnianska	152	173	174	5	10	20	1 739
8	Gemerka	376	115	85	0	30	257	1 532
9	Salvator	473	161	214	30	116	124	2 585
10	Brusnianska	305	101	187	35	59	774	884
11	Maxia	436	136	107	18	37	379	1 715

**Notes:**

- Use the prescribed symbols in the notations of calculations.
- You are provided with a swollen cation exchange resin (**Catex**) in its H<sup>+</sup> form. Use a thick stem Pasteur pipette for transferring it. You can add more deionized water to the resin if necessary (it should not dry out).
- Concentrations of the standard solutions:  
 $c(\text{NaOH}) = 0.2660 \text{ mol dm}^{-3}$        $c(\text{EDTA}) = 5.965 \times 10^{-3} \text{ mol dm}^{-3}$

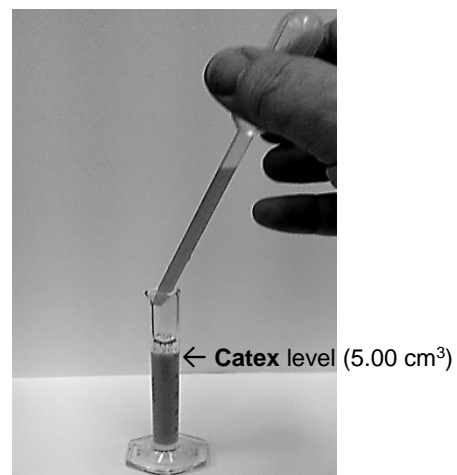
**Procedure**

1.a Measure 5.00 cm<sup>3</sup> of the **catex** into the graduated cylinder (volume V1). Then using deionized water transfer the **catex** quantitatively into a titration flask. Add an appropriate amount of deionized water so that the suspension can be swirled well and the colour of the solution over the **catex** can be observed.

1.b Add 3–4 drops of the bromothymol blue indicator (**BTB**) and about 1 g (half a spoon) of solid **NaCl**. When **NaCl** dissolves, titrate all the suspension with the standard **NaOH** solution (volume V2) from yellow to blue. Close to the equivalence point, titrate slowly and swirl well so that any analyte inside the **catex** skeleton may diffuse into the solution. Repeat the experiment as necessary.

1.c After the titration, decant and discard most of the aqueous solution in the titration flask above the **catex** and transfer the suspension to the **Waste catex** container.

P3.1 Write down all the chemical reactions which occur in Step 1. Use R–H as a formula for the **catex** in a H<sup>+</sup> form and HInd for the indicator.





P3.2 Enter the experimental and accepted values from Step 1 into the table.

(You do not need to fill in all the rows.)

Analysis No.	Catex volume $V_1$ [cm <sup>3</sup> ]	NaOH consumption $V_2$ [cm <sup>3</sup> ]
1	5.00	
2		
3		
Accepted value $V_2$ 4 significant figures		

P3.3 Using the accepted value of  $V_2$ , calculate the ion exchange volume capacity  $Q_V(\text{H}^+)$  in  $\text{mmol cm}^{-3}$ .

Calculation:

If you cannot find the  $Q_V(\text{H}^+)$  value, use  $1.40 \text{ mmol cm}^{-3}$  for further calculations.

- 2.a Using a graduated cylinder, measure  $5.00 \text{ cm}^3$  of the swollen **catex** (volume  $V_3$ ). Transfer the measured **catex** quantitatively into the  $250 \text{ cm}^3$  beaker. Using a pipette, add  $50.00 \text{ cm}^3$  of your **sample** mineral water (volume  $V_4$ ) to the beaker. Swirl the mixture occasionally for about 5 minutes, then filter the **catex** mixture through a fritted funnel (porosity **S1**). Wash the **catex** mixture with deionized water to a neutral pH (check with pH paper). Discard the filtrate.
- 2.b Using deionized water, transfer all the **catex** quantitatively from the funnel into a titration flask.
- 2.c Add 3–4 drops of bromothymol blue indicator (**BTB**) and about 1 g (half a spoon) of solid **NaCl** and titrate the suspension with the standard **NaOH** solution (volume  $V_5$ ) from yellow to blue. Repeat the experiment as necessary.
- 2.d After the titration, decant and discard most of the aqueous solution in the titration flask above the **catex** into the sink and transfer the suspension to the **Waste catex** container.







In the next step, you are going to perform complexometric analysis to determine the concentration of  $\text{Ca}^{2+}$  and  $\text{Mg}^{2+}$  together (hereinafter written as  $\text{M}^{2+}$ ).

3. Pipette  $10.00 \text{ cm}^3$  ( $V_6$ ) of the sample into the titration flask and add about  $25 \text{ cm}^3$  of deionized water. Adjust pH by adding  $3 \text{ cm}^3$  of the **buffer** solution. Add a small amount of Eriochrome black T indicator (**EBT**) on the tip of the spatula and titrate with the standard **EDTA** solution from wine red to blue ( $V_7$ ).

P3.7 Enter the experimental and accepted values from Step 3 into the table.

(You do not need to fill in all the rows)

Analysis No.	Sample volume $V_6$ [ $\text{cm}^3$ ]	EDTA consumption, $V_7$ [ $\text{cm}^3$ ]
1	10.00	
2		
3		
Accepted value $V_7$ 4 significant figures		

- P3.8 For the accepted volume of  $V_7$ , calculate the molar concentration of  $\text{M}^{2+}$  cations in mineral water,  $c(\text{M}^{2+})$  in  $\text{mmol dm}^{-3}$ .

Calculation:

If you cannot find the  $c(\text{M}^{2+})$  value, use  $15.00 \text{ mmol dm}^{-3}$  for further solution.

4. Use Table P3.2 (on the next page) in the next identification procedure.

- P3.9 In Table P3.2, write down experimentally found values from tasks P3.6 and P3.8 and tick (✓) all the lines with approximate match ( $\pm 10\%$ ) of the found parameter  $c(\text{M}^{2+})$  and  $c^*(\text{M}^+)$  with the data from the table.



Table P3.2

Mineral water		Supplier data			Match with the experiment	
No.	Trade brand	$c(M^{2+})$ [mmol dm <sup>-3</sup> ]	$c(M^+)$ [mmol dm <sup>-3</sup> ]	Total equivalent concentration of cations $c^*(M^+)$ [mmol dm <sup>-3</sup> ]	Conformity for $c(M^{2+})$	Conformity for $c^*(M^+)$
Your exp. values			XXX		XXX	XXX
1	Kláštorná	10.30	3.50	24.1		
2	Budišská	7.06	20.63	34.7		
3	Baldovská	13.32	3.91	30.5		
4	Santovka	8.13	17.67	33.9		
5	Slatina	4.35	8.25	16.9		
6	Fatra	3.11	24.32	30.5		
7	Ľubovnianska	10.92	7.70	29.5		
8	Gemerka	14.13	3.70	32.0		
9	Salvator	18.46	10.07	47.0		
10	Brusnianka	11.79	9.03	32.6		
11	Maxia	16.50	5.11	38.1		

P3.10 Based on your results, decide which mineral water is in your sample. Tick (✓) the cross-reference number(s) of the mineral water(s).

No.		Trade brand	No.		Trade brand
1		Kláštorná	7		Ľubovnianska
2		Budišská	8		Gemerka
3		Baldovská	9		Salvator
4		Santovka	10		Brusnianka
5		Slatina	11		Maxia
6		Fatra	12		other



## Replaced chemicals and equipment

Item or incident	Penalty	Signature	
		Student	Lab assistant
	0 pt		